



Complete 360° AI coverage.

Fisheye AI Series: 360° Fisheye IP Camera with AI people counting in 12.0MP

The Fisheye AI Series 360° dome performs the duties of multiple cameras, with the powerful benefit of AI-powered people counting, queue management and heat mapping. Receive alerts when a certain number of people enter an area with queue management or set up heat map to observe the amount of time spent in areas.

- Stream up to 12.0MP (4000 x 3000) at 25fps
- Circular fisheye lens with 360° viewing angle
- Dewarp modes* for ceiling, floor & wall mounting
- Virtual PTZ, panorama, & camera split dewarp modes
- Up to 10m infrared range; true day/night (auto ICR)
- AI-enhanced people tracking for real-time alerts, statistics and business analytics
- Heat map, queue management & regions of interest
- MicroSD card slot for edge recording up to 128GB
- IP67 weather & IK10 vandal resistant housing

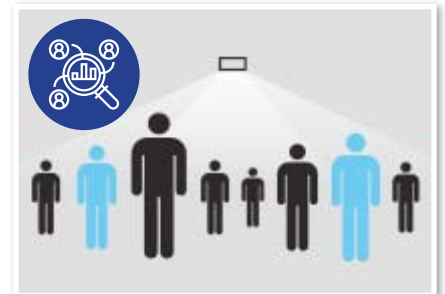
*Fisheye Dewarping supported NVRs: NVR64ULT8S, NVR32ULTNPV2, NVR32PRO16P3, NVR24PRO6, NVR16PRO7, NVR8PRO7



Superb Image Performance



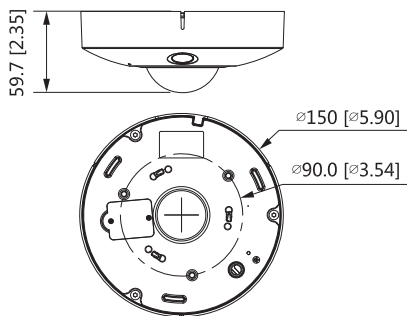
Fisheye Image Dewarp Modes



AI-Enhanced People Counting

Specifications		12.0MP 360° Fisheye with AI People Counting
Ordering Information		VSIPFE-12IR-I
Camera	Image Sensor	1/1.7" 12.0MP Progressive Scan CMOS
	Effective Pixels	4000 (H) x 3000 (V)
	RAM / ROM	4GB / 4GB
	Min Illumination	0.001 Lux/F2.0 (colour 1/3s), 0.01 Lux/F2.0 (colour 1/30s), 0 Lux/F2.0 (IR on)
	S/N Ratio	49.7dB
	Infrared System	3 x Infrared LED, 10m range
	Lens	Lens / Iris
Field of View		Horizontal: 185°, Vertical: 180°
Focus		Fixed
DORI		Detect (25px/m): 40m / Observe (63px/m): 16m / Recognise (125px/m): 8m / Identify (250px/m): 4m
Resolution		12.0MP (4000 x 3000) to CIF (352 x 288)
Frame Rate	Main	12.0MP (1 ~ 25fps)
	Sub	D1 (1 ~ 25fps)
	Third	D1 (1 ~ 25fps)
Video Compression	H.265, H.264, H.264H, H.264B, MJPEG	
Bit Rate	H264: 88Kbps-16384Kbps ;H265: 52Kbps-16384Kbps	
Bit Rate Control	Constant bit rate (CBR) / Variable bit rate (VBR)	
Day/Night	N/A	
Lighting Compensation	DWDR	
Smart Scene Adaptive	N/A	
White Balance	Auto / Natural / Street Lamp / Outdoor / Manual / Regional Custom	
Gain Control	Manual	
Noise Reduction	3D DNR	
Dewarping Modes	Original (no dewarp) / Panoramic / Double Panoramic / Virtual PTZ / Original + 3 split, + 4 split, + 8 split Supported NVRs: NVR64ULT8S, NVR32ULTNPV2, NVR32PRO16P3, NVR24PRO6, NVR16PRO7, NVR8PRO7	
Intelligent Functions	Intelligent Functions	Intrusion, Tripwire, Region of Interest (4 zones), Privacy Masking (4 zones) Smart Infrared, Heat Map
	People Counting	Queue Management (Triggers alarm when designated amount of people enters zone, 4 zones), Heat Mapping (Number of people and time spent)
Network	Ethernet	RJ-45 (10/100Base-T)
	Protocol	HTTP, TCP, ARP, RTSP, RTP, UDP, RTCP, SMTP, FTP, DHCP, DNS, DDNS, PPPoE, IPv4/v6, SNMP, QoS, UPnP, NTP
	Streaming Method	Unicast / Multicast
	Max. User Access	20 Users
Interface	Video Interface	N/A
	Audio Interface	1 Channel Input (RCA), 1 Built-in Mic / 1 Channel Output / Audio Compression: G.711A, G.711Mu, G726, AAC
	Alarm Interface	2 Channel Input / 2 Channels Output
	RS485	N/A
	Edge Storage	MicroSD Card (up to 256GB) / FTP
Interoperability	ONVIF (Profile S / Profile G), GB/T28181, CGI	
Environmental	Power Supply	12VDC / PoE
	Power Consumption	<9.2W (12VDC) / <12.9W (PoE)
	Operating Conditions	-30°C to +45°C, ≤95% RH
	Ingress Protection	IP67
	Vandal Resistance	IK10
	Housing	Metal + Plastic
	Pan/Tilt/Rotation	N/A
	Dimensions	Ø150mm x 60mm
Net Weight	0.77kg	

Application



Application	Model
Junction Mount	VSBKTA132-E
Ceiling Mount	VSBKTA100 +VSBKTB300C
Wall Mount	VSBKTB302S

Your local VIP Vision™ IP solutions professional:



People
Counting



Complete 360° AI coverage.

Fisheye AI Series: 360° Fisheye IP Camera with AI people counting in 5.0MP

The Fisheye AI Series 360° dome performs the duties of multiple cameras, with the powerful benefit of AI-powered people counting and heat mapping functions. Receive real-time alerts when a certain number of people enter an area with AI people & area counting or set up heat map to observe the amount of time people spend in areas.

- Stream up to 5.0MP (2592 x 1944) at 25fps
- Circular fisheye lens with 360° viewing angle
- Dewarp modes* for ceiling, floor & wall mounting
- Virtual PTZ, panorama, & camera split dewarp modes
- Up to 10m infrared range; true day/night (auto ICR)
- AI-enhanced people counting/tracking for real-time alerts, statistics and business analytics
- Heat map, queue management & regions of interest
- IVS functionality including tripwire, intrusion & more
- MicroSD card slot for edge recording up to 256GB

*Fisheye Dewarping supported NVRs: NVR64ULT8S, NVR32ULTNPV2, NVR32PRO16P3, NVR24PRO6, NVR16PRO7, NVR8PRO7



Record Beyond Double Full HD



Fisheye Image Dewarp Modes

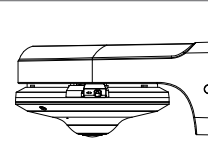
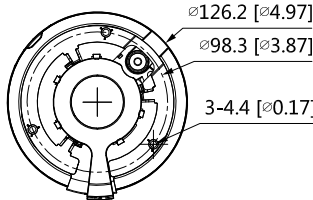
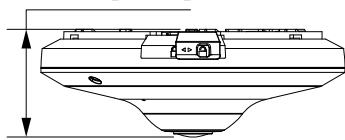


AI-Enhanced People Counting

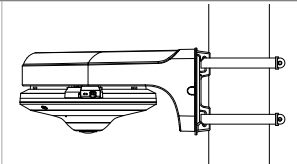
Specifications		5.0MP 360° Fisheye with AI People Counting	
Model	Product Image		
	Ordering Information	VSIPFE-SIR-I	
Camera	Image Sensor	1/2.7" 5.0MP Progressive Scan CMOS	
	Effective Pixels	2592 (H) x 1944 (V)	
	RAM / ROM	512GB / 128GB	
	Min Illumination	0.006 Lux/F2.0	
	S/N Ratio	>56dB	
	Infrared System	3 x Infrared LED, 10m range	
Lens	Lens / Iris	1.4mm F2.0 Fixed Focal Lens with Fixed Iris	
	Field of View	Horizontal: 180°, Vertical: 180°	
	Focus	0.2m Min. Focus Distance	
	DORI	Detect (25px/m): 28m / Observe (63px/m): 11.2m / Recognise (125px/m): 5.6m / Identify (250px/m): 2.8m	
Video	Resolution	5.0MP (2592 x 1944) to CIF (352 x 288)	
	Frame Rate	Main	5.0MP (1 ~ 25fps)
		Sub	D1 (1 ~ 25fps)
		Third	720p (1 ~ 25fps)
	Video Compression	H.265+, H.265, H.264+, H.264, H.264H, H.264B, MJPEG	
	Bit Rate	H264: 3Kbps-8192Kbps; H265: 3Kbps-8192Kbps	
	Bit Rate Control	Constant bit rate (CBR) / Variable bit rate (VBR)	
	Day/Night	Auto (ICR) / Color / B&W	
	Lighting Compensation	BLC / HLC / WDR (120dB)	
	Smart Scene Adaptive	Yes	
	White Balance	Auto / Natural / Street Lamp / Outdoor / Manual / Regional Custom	
	Gain Control	Auto / Manual	
	Noise Reduction	3D DNR	
IVS	Dewarping Modes	Original (no dewarp) / Panoramic / Double Panoramic / Virtual PTZ / Original + 3 split, + 4 split, + 8 split Supported NVRs: NVR64ULT8S, NVR32ULTNPV2, NVR32PRO16P3, NVR24PRO6, NVR16PRO7, NVR8PRO7	
	Intelligent Functions	Intrusion, Tripwire, Motion Detection (4 zones), Region of Interest (4 zones), Privacy Masking (4 zones) Smart Infrared, Heat Map	
Network	People Counting	Area People Counting (Number of people, People quantity thresholds, 4 zones), Heat Mapping (Number of people and time spent)	
	Ethernet	RJ-45 (10/100Base-T)	
	Protocol	IPv4; IPv6; HTTP; HTTPS; TCP; UDP; ARP; RTP; RTSP; RTCP; RTMP; SMTP; FTP; SFTP; DHCP; DNS; DDNS; QoS; UPnP; NTP; Multicast; ICMP; IGMP; NFS; PPPoE; 802.1x; SNMP	
Interface	Streaming Method	Unicast / Multicast	
	Max. User Access	20 Users (Total bandwidth: 64M)	
	Video Interface	N/A	
	Audio Interface	1 Channel Input (RCA), 1 Built-in Mic / 1 Channel Output / Audio Compression: PCM, G.711A, G.711Mu, G726, AAC	
	Alarm Interface	1 Channel Input (5mA 3VDC ~ 5VDC) / 1 Channel Output (300mA 12VDC)	
	RS485	N/A	
	Edge Storage	MicroSD Card (up to 256GB) / FTP / SFTP / NAS	
Environmental	Interoperability	ONVIF (Profile S / Profile G / Profile T), CGI, Milestone, Genetec, P2P	
	Power Supply	12VDC / PoE	
	Power Consumption	<3.6W (12VDC) / <4.4W (PoE) / <8.8W (Max.)	
	Operating Conditions	-10°C to +50°C, ≤95% RH	
	Ingress Protection	N/A	
	Vandal Resistance	N/A	
	Housing	Metal + Plastic	
	Pan/Tilt/Rotation	N/A	
	Dimensions	Ø126.2mm x 44.6mm	
	Net Weight	0.3kg	

Application

44.7 [1.76]



Wall Mount
VSBKTB203W



Pole Mount
VSBKTB203W + VSBKTA152E

Your local VIP Vision™ IP solutions professional: